



PONG[®]

U1S[®]

Mini PONG Jr.

PRODUCT MANUAL



Thank you for purchasing Mini PONG Jr.. We hope you enjoy the product.

This manual contains valuable information about how to operate and maintain your product properly and safely. It is intended for the owner and/or personnel in charge of product operation. Carefully read and understand the instructions.

If you need any help during installation and setup please utilize this manual and troubleshooting guide. If the product fails to function properly, *non-technical personnel should under no circumstance attempt to service the machine.* Contact your distributor or manufacturer for help.

Before use, please read **IMPORTANT SAFETY INSTRUCTIONS.**

IMPORTANT SAFETY INSTRUCTIONS

To ensure the safe usage of this product, carefully read and understand these instructions before operating your game.

Save these instructions for future reference.

Use this product only as described in this manual. Other uses not recommended may cause fire, electric shock or personal injury. Unplug the game from the outlet when not in use, when moving from one location to another, and before cleaning/servicing.

Explanations which require special attention are indicated by signs of warning. Depending on the potential hazardous degree, the terms: **NOTE**, **NOTICE**, and **WARNING** are used.

NOTE: A NOTE indicates useful hints or information about product usage.

NOTICE: A NOTICE indicates potential damage to product and how to avoid the problem.

WARNING: A WARNING indicates a potential for product damage or serious personal Injury.

2020-10-26

⚠ This product is an indoor product. Do not install outdoors.

Avoid installing in the following places to prevent fire, electric shock, injury and/or machine malfunctioning:

- Places subject to rain/moisture, or places subject to high humidity.
- Places subject to direct sunlight, or places subject to extremely hot or cold temperatures to ensure that it is used within the specified operating range.
- Places where inflammable gas may be present or in the vicinity of highly inflammable/volatile chemicals or items that can easily catch fire.

Attentions:

1. Do not use this machine with unsuitable standard voltage;
2. Be sure to use the plug with matching socket;
3. Please use this product according to the operating manual;
4. Please do not use this product outdoor;
5. If the Charger cable were damaged, in order to avoid danger, replace immediately.
6. After using or not using the machine for a long time, please turn off the machine.

Maintenance Matters:

1. Please assure the voltage meets the specifications of the product.
2. Never use a damp cloth to clean this machine' s plugs,etc.
3. If you feel that this appliance is abnormal in the process of using, please stop using it immediately and contact for service.

4. Do not store in high temperature.
5. Please use non-woven fabric to do the cleaning, do not use thinner, benzene or alcohol on equipment.
6. When moving or cleaning the machine, power off the machine and wait for the machine to cool before proceeding. Please clean the machine once a month.

IMPORTANT NOTE:

ALL REPAIRS MUST BE DONE TO ORIGINAL MANUFACTURER SPECIFICATIONS. FAILURE TO DO SO VOID ALL WARRANTIES AND OPERATOR ASSUMES ALL RISKS.

Note: The contents of this manual may be updated without notice.

1. SPECIFICATIONS

Rated power supply: DC 5V 3A

Power consumption: 15W

Dimension: W5.91×D11.81×H3.04 in

W150×D300×H77 (mm)

Weight: With battery: Approximately 2.00 lb/ 910.8 g

Without battery: Approximately 1.70 lb/ 771.2 g


Typical Recharge Time: Approximately 2 Hours

Expected Play Time: Approximately 1.8 Hours

Standby Mode Time: Approximately 150 Hours

Model No: A-448

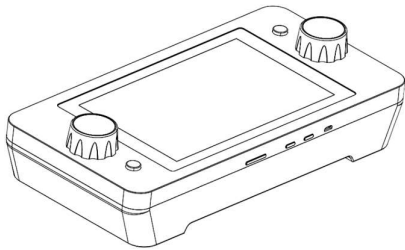


 **NOTICE:** After turning off the game, please wait at least 1 minute before restarting again.

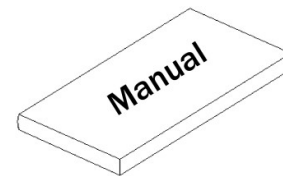
2. CONTENTS OF THE ACCESSORY KIT

Open the package and make sure all the items are included:

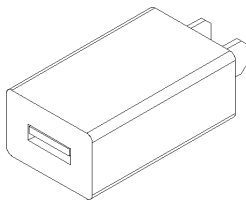
As the product is constantly updated, if the real object does not match the picture, please refer to the real object.



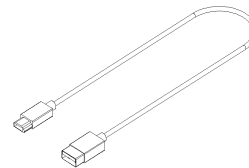
1. Mini PONG Jr.




2. Manual



3. Charger



4. Charger Cable

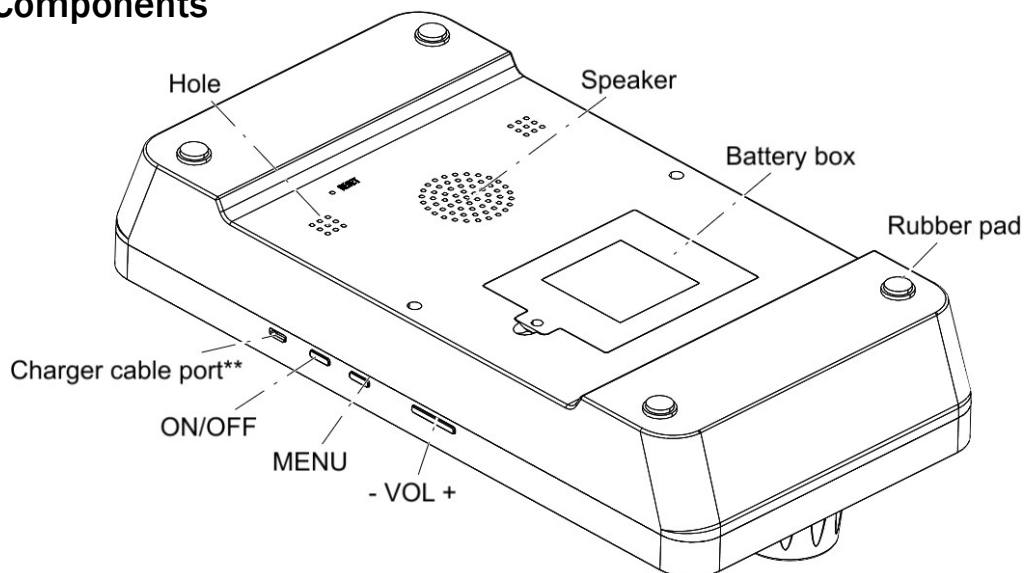
 **To upgrade for portable use:** One 18650 Lithium battery needs to be installed. Battery not include. A capacity of 2600 mAh is recommended (Expected Play Time is using.).

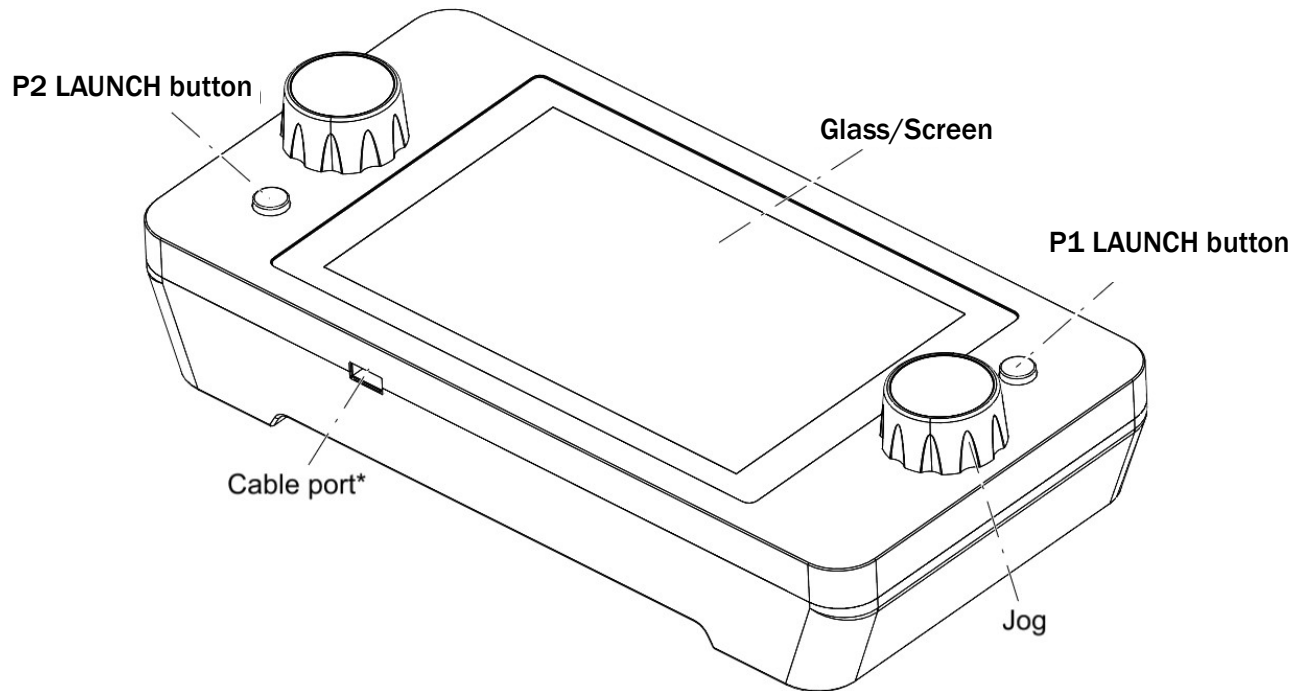
Notice: The battery should be complied with the **UL2054** or **IEC 62133**.

3. PART NAME



Key Components





Note: Cable port*: Can connect the mouse, keyboard, flash disk and other peripherals.

Charger cable port** : Can connect to the PC.

4. SET UP & INSTALLATION

⚠ This product is an indoor game machine. Do not install outdoors.

- Refer to IMPORTANT SAFETY INSTRUCTIONS (Pg. 1) for places to avoid.
- Place the unit on a dry level surface.
- Ventilation openings in the back of the unit must not be obstructed by objects or by wall.

4.1 Machine Installation

4.1.1 Open the package and take Mini PONG Jr. out.

4.1.2 Without battery: Connect Charger Cable to Charger and Mini PONG Jr.. The product will power on automatically.

With battery: Open the battery box, install the 18650 Lithium battery according to the “+” “-” label on the battery box. Hold ON/OFF button to power on and start to play.

Note: a charger cable should be connected when first using battery to activate.



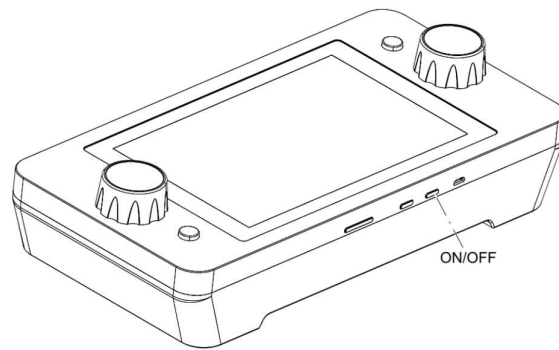
Notice: Only one battery can be installed on the battery box.

4.2 About Game

4.2.1 Hold ON/OFF button can power on or off the game.

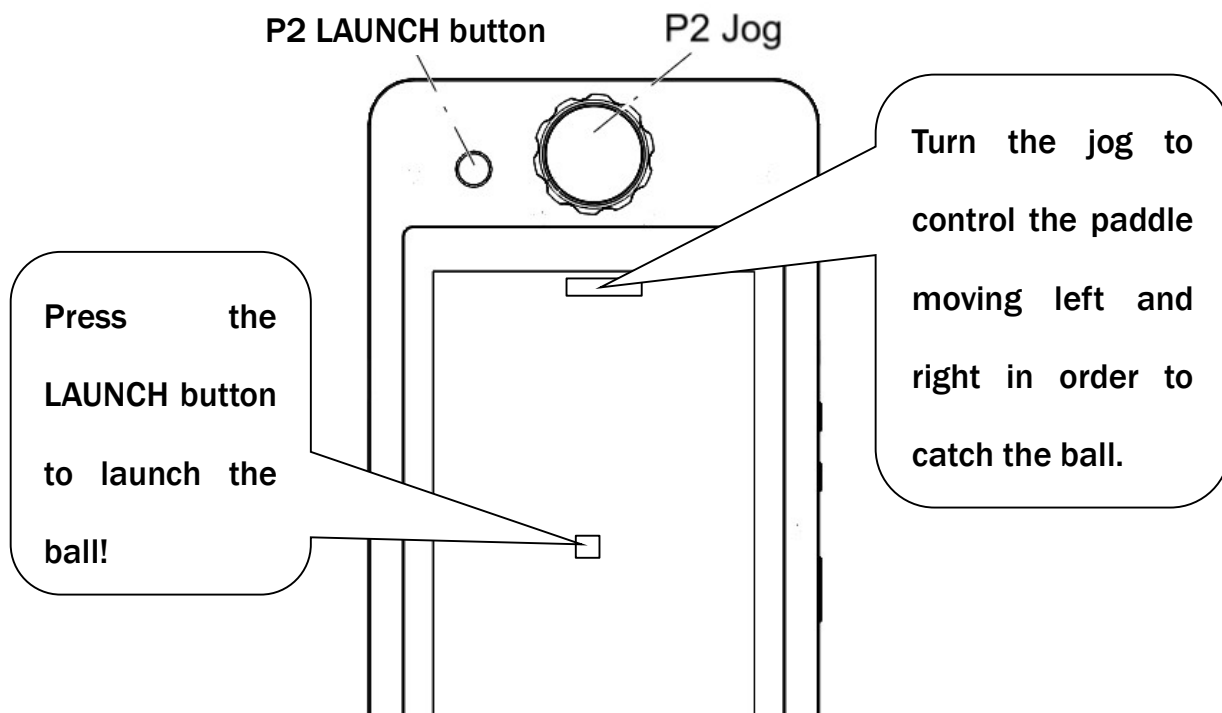
4.2.2 If the game is not started in 3 minutes, the product will enter Standby mode and automatically black screen. You need to press the ON/OFF button to restart the screen.

4.2.3 A typical recharge takes about 2 hours.



5. HOW TO PLAY

1. Press LAUNCH button to start the game. Move the jog to control the paddle, press the LAUNCH button to launch the ball.
2. When only one player plays, the player will play against the AI. Under a certain set number of games, whoever wins the most points first will win.
3. The other side of the screen shows "PRESS THE LAUNCH BUTTON TO JOIN THE GAME". After pressing the LAUNCH button, the player can take over the control of the AI and play against the other player.

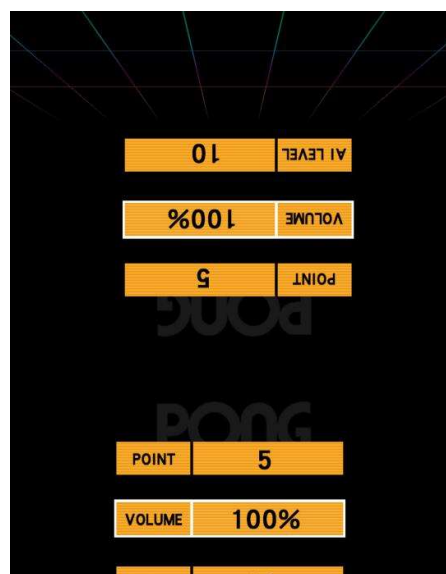
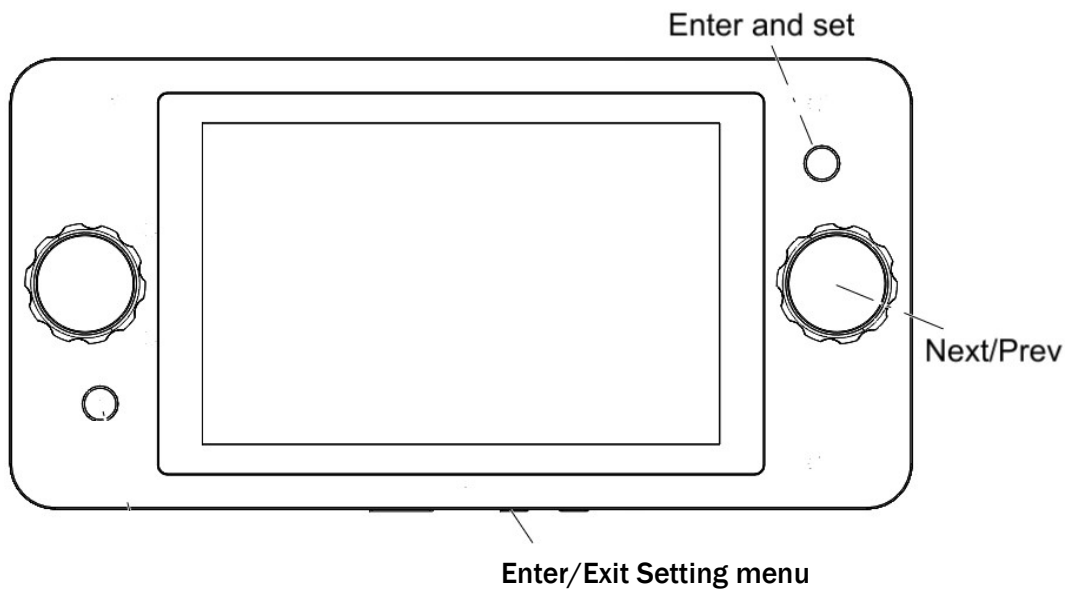


6. GAME OPTION

Press MENU button to enter Setting menu.

Roll the jog to choose, press the LAUNCH button to enter and set, press the MENU button to exit.

Options	Status	Description
POINT	1~99	Number of game round
VOLUME	0%~100%	
AI LEVEL	1~10	AI difficulty



7. MAINTENANCE & INSPECTION

7.1 Handling Precautions

When installing or inspecting the machine, be very careful and pay attention to ensure that the player can enjoy the game safely.

Inappropriate handling running counter to the cautionary matters can cause personal injury or damage to the machine.

! **NOTICE**

We do not recommend using power tools as they may cause damage.

7.2 How To Clean The Glass

Step 1 Hold the ON/OFF button to power off the game.



Step 2 Utilize non-woven fabric with distilled water to clean the glass.

WE ARE HERE TO ASSIST

For parts and service



Have Questions? Contact us!

UNIS SERVICE CENTER

Tel: 972-241-4263

Email: service@unispartsandservice.com



This device complies with Part 15 of the FCC Rules. Operation is subject to the following two conditions: (1) this device may not cause harmful interference, and (2) this device must accept any interference received, including interference that may cause undesired operation.

